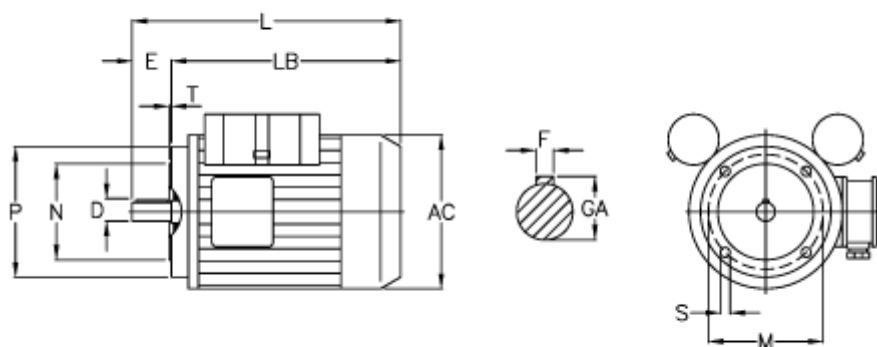


Article number: 25012465002

Description: ICME Single-phase motor MD63 A4 0,12KW
4 - 1400 rpm 1x230 Volt 50Hz B14 with starting & running capacitor

Measures



AC = 124	M = 75
D = 11	N = 60
E = 23	P = 90
F = 4	S = M5
GA = 12.5	T = 2.5
HB = 4	Z = -
L = 211	
LB = -	